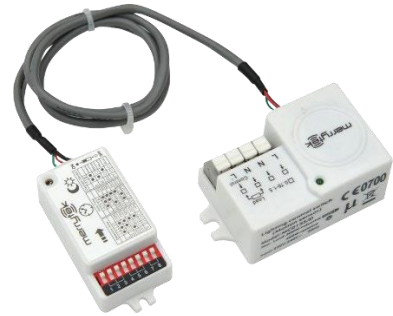
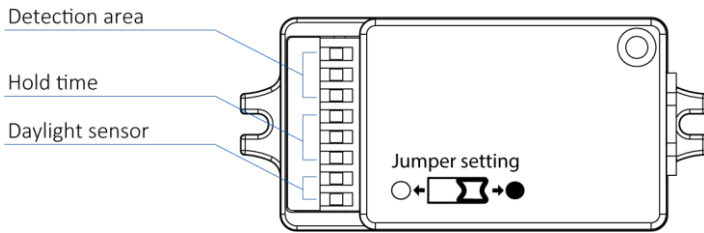


SENSOR ADJUSTMENT



Detection area

Detection area can be reduced by selecting the combination on the DIP switches to fit precisely each application

| 1 | 2 | 3 | |
|---|---|---|------|
| ● | ● | ● | 100% |
| ○ | ● | ● | 75% |
| ● | ○ | ● | 50% |
| ○ | ○ | ● | 25% |
| ○ | ○ | ○ | 10% |



Hold time

Refers to the time period the lamp remains at 100% illumination after no motion detected.

| 4 | 5 | 6 | |
|---|---|---|-------|
| ● | ● | ● | 5s |
| ○ | ● | ● | 30s |
| ● | ○ | ● | 90s |
| ○ | ○ | ● | 3min |
| ● | ● | ○ | 20min |
| ○ | ○ | ○ | 30min |



Daylight sensor

The sensor can be set to only allow the lamp to illuminate below a defined ambient brightness threshold. When set to Disable mode, the daylight sensor will switch on the lamp when motion is detected regardless of ambient light level.

| 7 | 8 | |
|---|---|---------|
| ● | ● | Disable |
| ● | ○ | 50lux |
| ○ | ● | 15lux |
| ○ | ○ | 5lux |

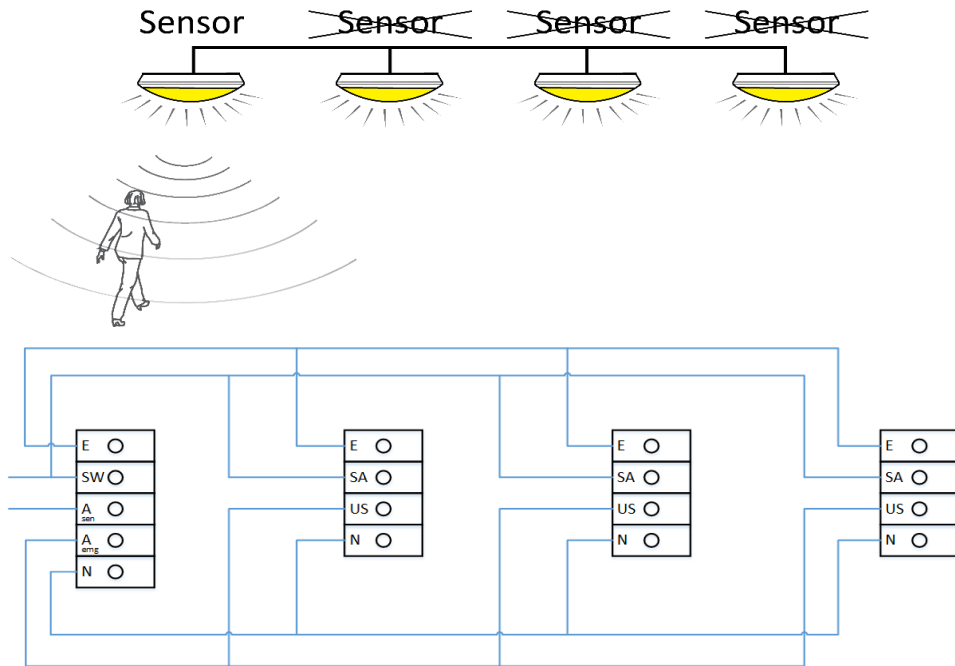


30lux/50lux – Twilight operation

5lux/15lux – Darkness operation only

MASTER/SLAVE FUNCTION

Option A



A_{emg}/US – Active emergency

A_{sen} – Active sensor

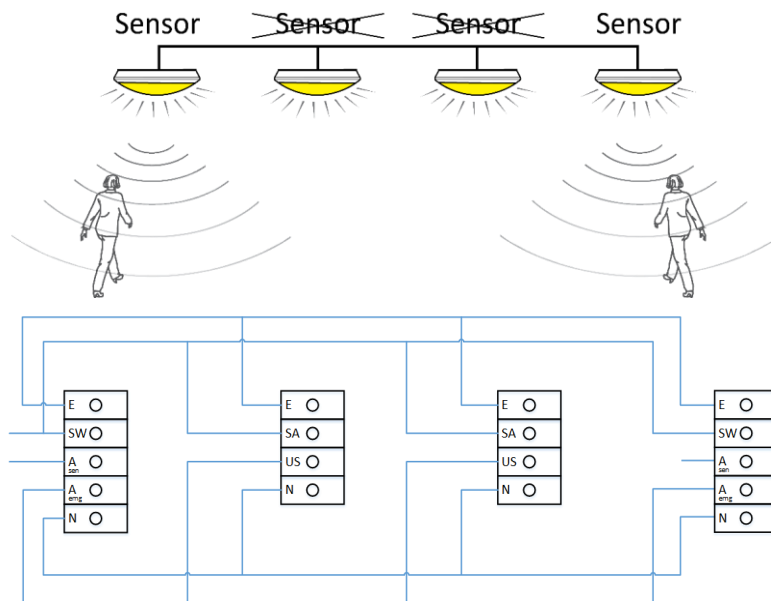
E – Earth

N - Neutral

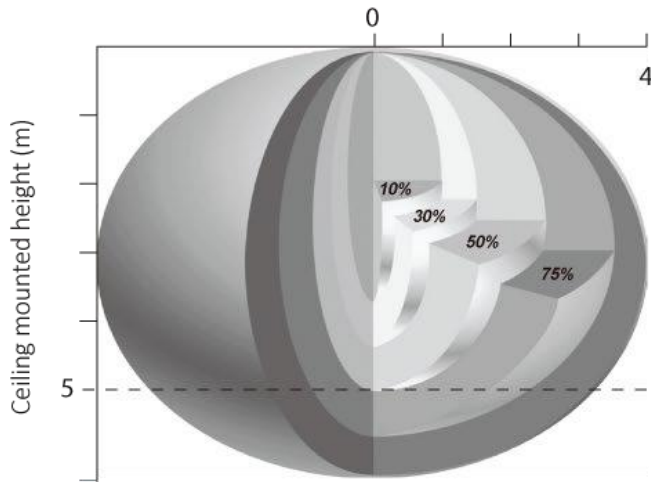
SA – Switched active

SW – Switched output

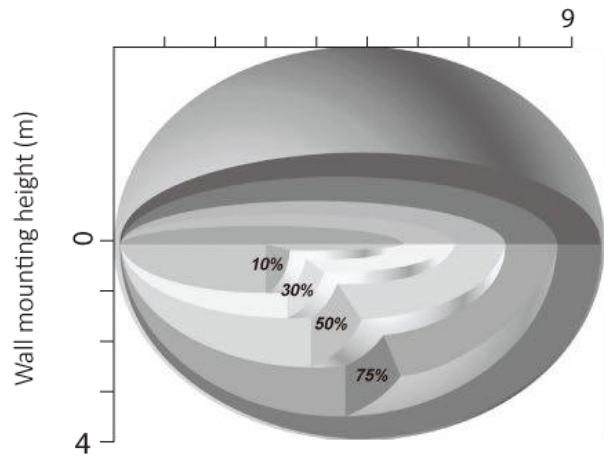
Option B



DETECTION RANGE



Ceiling mounted detection pattern (m)



Wall mounted detection pattern (m)

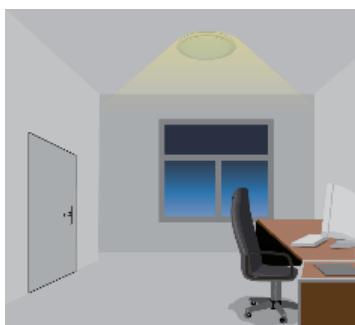
TECHNICAL SPECIFICATION

| | |
|-----------------------|---|
| Operating Voltage | 220-240 VAC, 50 Hz/ 60 Hz |
| Rated load | 800 W (Resistive load) 400 W Inductive load) |
| HF System | 5.8 GHz + 75Mhz, ISM wave band |
| Power Consumption | <0.5W (Standby) |
| Transmitting Power | <0.5mW |
| Detection area (Max.) | 8 m |
| Operating temperature | -35°C to 70°C |
| Detection area | 25% to 100% |
| Hold time | 5s to 30min |
| Daylight sensor | 5lux to 50lux / Disable |

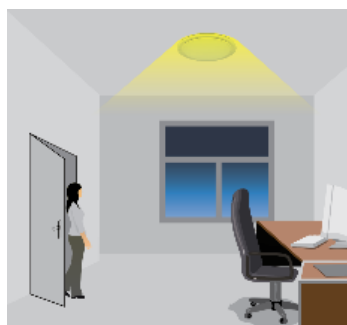
Microwave Sensor Dimming Function (MS-HL products only)

When applied to the DA/N and DA/L terminals of a DALI dimmable ballast, the Microwave Sensor output will function to switch light output of the fitting between 10% and 100%, upon movement in the detection area. When no movement is detected, the fitting will return to 10% output after the time delay set on the sensor.

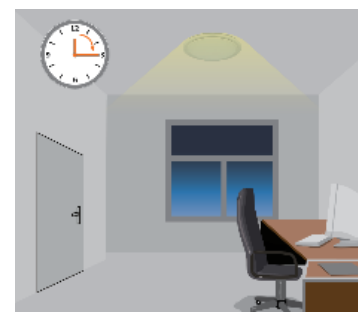
Any slave luminaires connected to the SW output terminal (If available) of such MS-HL Luminaire will operate in ON/OFF Mode.



No area movement detected 10%



Area movement detected 100%



No area movement detected 10% after time delay set at sensor